

OPC Basic & Super

Sturdy compact flux recovery systems

- Robust and compact design.
- Easy operation and maintenance.
- Integrated system for maximum productivity - lower investment and service costs.
- Adapts to any A2 or A6 welding system - mobile or stationary.
- Uses only compressed air - safe and inexpensive.
- Can be integrated into complete FFRS flux feeding and recovery system.
- Three filter types; filter bag for A2 applications, cyclone filter with filter bag for most A6 applications and Tedak filter for heavy-duty applications.
- OPC system includes; ejector, cyclone, filter with attachment hardware, securing strap, suction hose and four suction nozzles (for butt welds, normal and large; fillet welds, left and right).



OPC Basic Flux Recovery System

- Works on ejector principle using compressed air
- Cyclone separator, on top of flux hopper, efficiently separates dust from recovered flux.
- Slag is separated and flux is returned to hopper.

OPC Super Flux Recovery System

- Similar to basic system but with stronger ejector and cyclone - provides better suction.
- Can also be used with preheated flux.

Ordering Information

OPC Basic, with standard filter bag	0148 140 880
OPC Basic, with cyclone filter	0802 415 882
OPC Basic, with Tedak filter	0802 415 883
OPC Super*	0339 719 880
OPC Super complete, with cyclone filter	0802 415 892
OPC Super complete, with Tedak filter	0802 415 893

* excludes hose, nozzles and filter.

Options & Accessories

Air pressure hose 9.5 mm (3/8 in.)	0190 343 104
Air pressure hose 12.7 mm (1/2 in.)	0190 343 106
Air pressure tube Ø 63 mm, 63.5 mm (2.5 in.)	0193 125 003
Air central	0417 714 880
Plastic bag	0190 665 004
Filter bag, paper	0155 966 001
Filter bag, cotton	0332 448 001
Cyclone filter	0379 538 880
Tedak filter	0453 708 881

Specifications

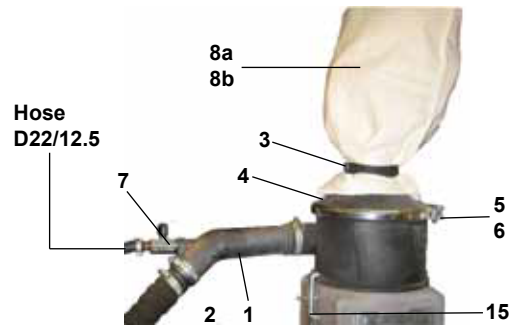
	OPC Basic	OPC Super
Airflow capacity:		
at working pressure 0.4 MPa, l/min	175	420
at working pressure 0.5 MPa, l/min	225	500
at working pressure 0.6 MPa, l/min	250	580
Max working pressure, MPa	0.6	0.6
Max suction height:		
at working pressure 0.4 MPa, m*	0.8	1.0
at working pressure 0.5 MPa, m*	0.8	1.2
at working pressure 0.6 MPa, m*	0.8	1.4
Sound level at work, dB	70	72
Max working temperature, °C	130	150
Short term temperature, °C**	170	190



* Suction height with normal flux bead and a welding speed of 100 cm/min (39.3 ipm)

** Tested with preheated flux to temp. max 220°C (428°F) and weld object temp. max 350°C. (662°F)

OPC Flux Recovery System Wear Parts



OPC Basic

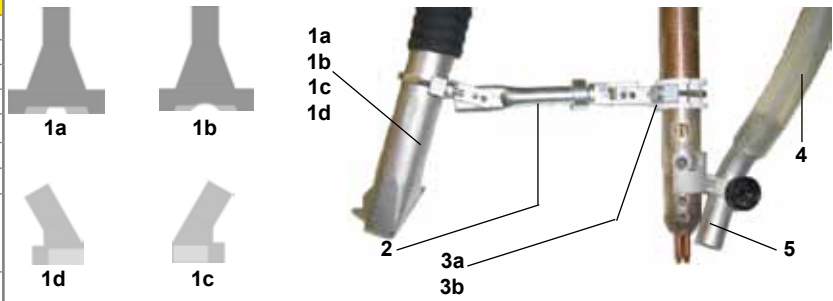
1	Ejector	0147 640 880
2	Hose id 4000 d47/38	0379 016 001
3	Tension band	0192 855 002
4	Cone	0148 143 001*
5	Tension ring	0148 144 001*
6	O-ring, 189.3x5.7	0215 201 353
7	Ball valve	0145 824 881
8a	Filter, paper	0155 966 001
8b	Filter, cotton	0332 448 001*
9	Funnel	0148 142 001
10	Rubber lining	0145 565 001
11	O-ring 149.2x5.7	0215 201 345
12	Cyclone	0148 141 001
13	Rubber lining	0145 073 001
14	Tension spring	0145 815 001
16	Strainer	0020 301 780

OPC Super

1	Ejector	0339 720 001
2	Hose id 4000 d47/38	0379 016 001
3	Tension band	0192 855 002
4	Cone	0332 279 001
5	Tension ring	0148 144 001
6	O-ring, 189.3x5.7	0215 201 353
7	Ball valve	0333 625 001
8a	Filter, paper	0155 966 001
8b	Filter, cotton	0332 448 001*
9	Funnel	0332 280 001
10	Rubber lining	0332 282 001
11	O-ring 149.2x5.7	0215 201 345
12	Cyclone	0332 281 001
13	Rubber lining	0332 283 001
14	Tension spring	0145 815 002
15	Clamp	0340 612 001
16	Strainer	0020 301 780

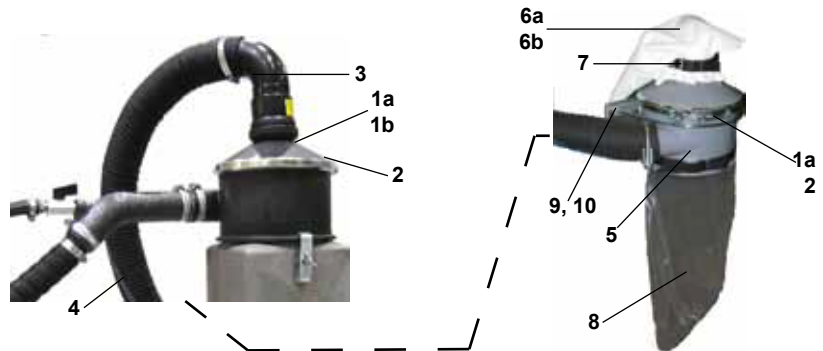
Suction Nozzle

1a	Butt weld 1	0145 501 001
1b	Butt weld 2	0145 502 001
1c	Fillet weld left	0145 504 001
1d	Fillet weld right	0145 505 001
2	Nozzle bracket	0147 384 881
3a	Insulator D20	0145 131 004
3b	Insulator D35	0145 131 002
4	Flux hose, D32.0/25.0, free length / m, length 0.5 m	0443 383 001
5	Pipe bent	0153 296 001



Cyclone Filter

1a	Cone basic	0148 143 001
1b	Cone super	0332 279 001
2	Tension ring	0148 144 001
3	Bend	0413 576 001
4	Spiral hose D67, 2/63	0193 125 003
5	Cyclone	0148 141 001
6a	Filter, paper	0155 966 001
6b	Filter, cotton	0332 448 001*
7	Tension band	0192 855 002
8	Plastic bag	0190 665 004
9	U-screw	0379 600 001
10	Bracket	0379 599 880



* Optional Item



ESAB / esab.com
WESTARCO / westarco.com

