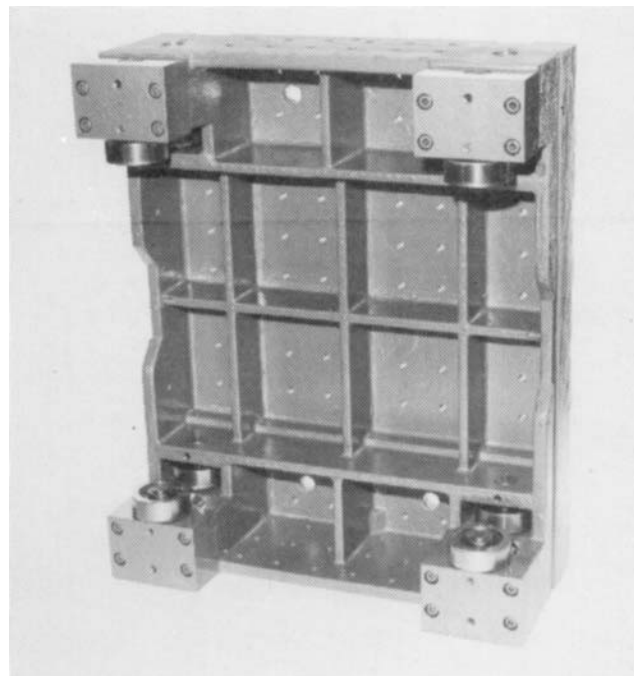


MBVA 330 & 550

Beam welding carriage

MBVA 330 and 550 are two stable beam carriages intended to be used as carriages of for example welding equipment. The beams can be provided in different lengths, see ordering numbers on the next page.

A VEC motor is used as driving motor working by gear wheel and rack and pinion drive for carriage travel. By choosing different travel units, various travel speed ranges are possible.

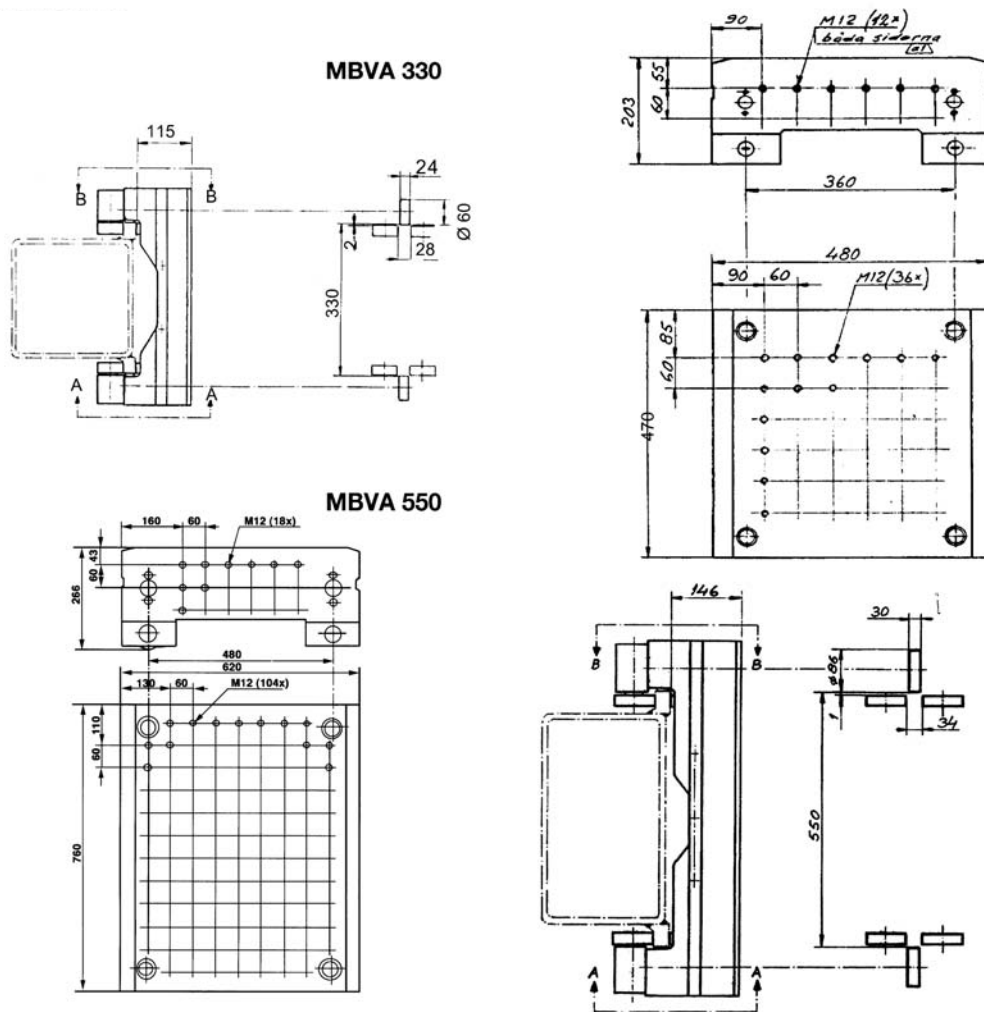


For more information regarding the drive, see separate leaflet for the PAV unit, XA00139420 or PEH Process Controller XA00089320.

Technical Data

	MBVA 330	MBVA 550
Rated load	10.000 N (1.000 kp)	20.000 N (2.000 kp)
Rated moment	3.300 Nm (330 kpm)	10.000 Nm (1.000 kpm)
Weight	approx. 95 kg	approx. 275 kg
Travel unit	Speed range	
Without disconnection	3-80 cm/min	
	11-125 cm/min	
	14-250 cm/min	
	27-530 cm/min	
	37-1500 cm/min	
Weight	12 kg	

Technical data



Ordering number

Carriage MBVA 330	0150 765 880	Beam 330, length 3.000 mm, weight 240 kg	0803 348 880
Carriage MBVA 550	0150 901 880	Beam 330, length 4.500 mm, weight 480 kg	0803 348 881
		Beam 330, length 6.000 mm, weight 720 kg	0803 348 882
		Beam 330, length 7.500 mm, weight 960 kg	0803 348 883
Cable to connect PAV to travel unit length 5.0 m	0460 745 881	Beam 330, length 9.000 mm, weight 1000 kg	0803 348 884
Cable to connect PEH to travel unit length 5.0 m	0456 490 883	Beam 330, length 10.500 mm, weight 1200 kg	0803 348 885
		Beam 330, length 12.000 mm, weight 1420 kg	0803 348 886
Travel unit, speed range 3-80 cm/min	0150 943 880	Beam 550, length 3.000 mm	0321 527 880
Travel unit, speed range 11-125 cm/min	0150 943 881	Beam 550, length 4.500 mm	0321 527 881
Travel unit, speed range 14-250 cm/min	0150 943 882	Beam 550, length 6.000 mm	0321 527 882
Travel unit, speed range 37-1500 cm/min	0150 943 883	Beam 550, length 8.000 mm	0321 527 883
Travel unit, speed range 27-530 cm/min	0150 943 884	Beam 550, length 12.000 mm	0321 527 884



ESAB AB
Welding Equipment
 SE-695 81 LAXÅ, Sweden
 Phone: +46 584-81000
 Telefax: +46 584-411721
 E-mail: info@esab.se
 www.esab.com

