

## *Beam Travelling Carriage*

*The beam travelling carriage to be used together with A2 and A6 welding heads*

**For many applications a beam mounted carriage, fitted with an A2 or A6 welding head, is an ideal solution for submerged-arc and MIG/MAG welding.**

Whether it be a matter of longitudinal welding or welding of circular workpieces, the beam travelling automatic welding machine can be combined with fixtures and handling equipment to provide ideal positioning of the workpieces. Where floor space is limited you can build a single- or multi-station production unit that reduces handling times. A production philosophy aimed at high productivity.

Beam Carriage - a robust part of the automatic welding equipment

The beam-travelling carriage has a robust cast metal chassis with the possibility to mount a standard A2S or A6S welding head. The carriage can be placed on the standard I-beam IPE 300, or if the accuracy requirements are higher, on a specially machined I-beam supplied by ESAB. By way of a drive disconnection device it is possible to move the carriage manually along the beam.

Travel and welding parameter setting

The travel motion and all other welding parameters are rapidly and accurately pre-programmed by means of the PEK electronic control equipment before welding. No running-in for adjustments is necessary. The feedback system gives a high and consistent welding quality from start to finish. This saves time and material - two very important factors in welding economy. The PEK Process Controller is one part of the standard A2S or A6S welding heads.



Standard profile track

The carriage has been designed for running on an IPE 300 standard profile track, which can be used as supplied without any machining. When clamped to a carrying structure, such as a wall or a beam, the IPE profile provides simple solution for a fixed or mobile assembly station. When demands for a straight and smooth welding motion are higher the profile can be machined, which also facilitates extension of the track with two or more sections. In connection with a cantilever stand the strengthened track can be constructed in the shape of a gantry. Please be aware of the load of the beam and the maximum span.

Complete reinforced profile tracks can be supplied as standard in machined lengths ranging from 3 to 8 m.

## Technical data

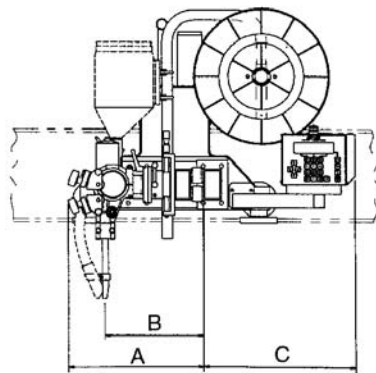
Travel speed Beam carriage 6-200 cm/min  
 Weight carriage 60 kg \*)

\*) For total weight (carriage and welding heads) see respective leaflet for GMH, A2S Mini Master, A6S Arc Master, A6G Master and A6S Tandem Master

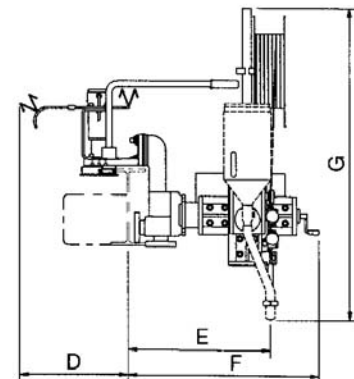
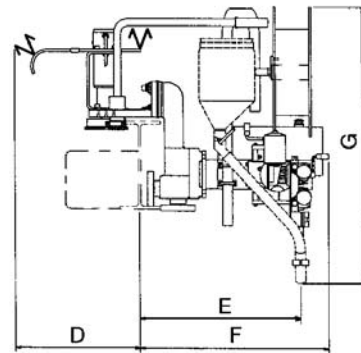
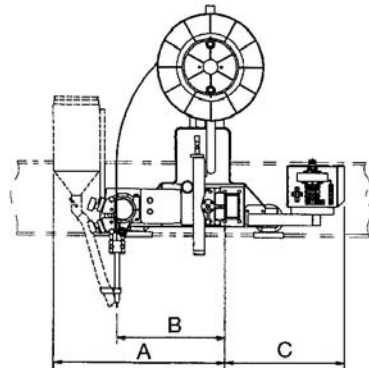
## Ordering information

Beam travelling carriage 0457 897 881  
 Mounting bracket for Tandem head 0458 026 001  
 Track in lengths of 3000 mm 0145 282 880  
     Required number of floor columns: 2  
 Track in lengths of 4500 mm 0145 282 881  
     Required number of floor columns: 3  
 Track in lengths of 6000 mm 0145 282 882  
     Required number of floor columns: 3  
 Track in lengths of 8000 mm 0145 282 883  
     Required number of floor columns: 4

A2

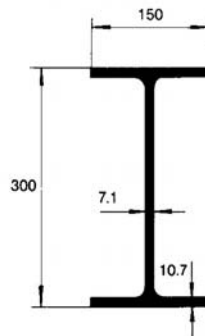


A6

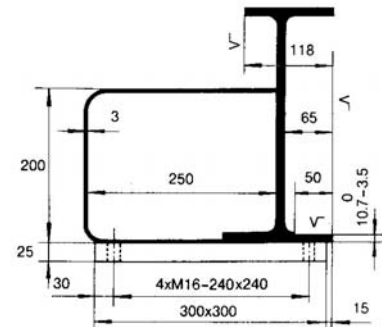


The dimensions of the drawings are found in the table.  
 The numbers are in millimetre and approximate.

	A2 SFE1	A2 SGE1	A6 SFE1	A6 SGE1
A	450	450	730	580
B	330	330	450	450
-C	500	500	500	500
D	430	430	430	430
-E	560	560	570	570
F	690	690	810	810
-G	950	950	1270	1270



IPE 300 standard



Reinforced profile tracks



ESAB AB  
 Welding Equipment  
 SE-695 81 LAXÅ, Sweden  
 Phone: +46 584-81000  
 Telefax: +46 584-411721  
 E-mail: info@esab.se

www.esab.com

